



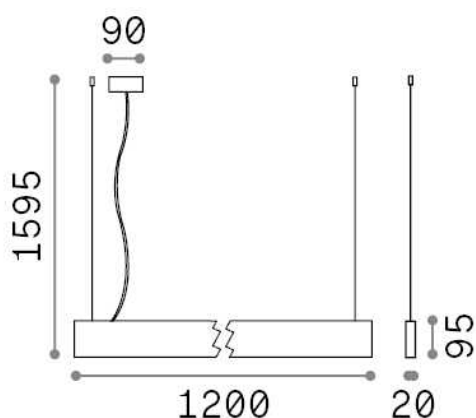
General info

Technical - Systems

| | |
|---------------------|------------------------|
| Ean | 8021696268231 |
| Item | LINUS SP 4000K WH |
| Installation | Systems |
| Guarantee | 5 years |
| Gross weight | 2.92 kg |
| Volume | 0.01575 m ³ |

Technical info

| | |
|---------------------------------|--|
| Net weight | 2.55 kg |
| Insulation class | I |
| Protection index | IP20 |
| Compliance | CE |
| Operating temperature | 0° ~ +40 °C |
| Full load efficiency | X |
| Dimmer | 1, 1-10V |
| Power output | 100-240 V AC 50/60 Hz |
| Power supply | In-built, included Replaceable (by qualified operators only), electronic |
| Accessories not included | Structure linear connector, Luminous corners |



Source info

| | |
|-------------------------------|-----------------------|
| Integrated source | Integrated LED module |
| Replaceable source | No |
| Power | 32 W |
| Emission | Direct + Indirect |
| Max consumption | max 32,00 W |
| Features LED | LED SMD |
| CCT LED | 4000 K |
| Duration LED (t. 25°C) | 50000 h |
| CRI | > 80 |
| SDCM | 3 |
| Light beam | 104+104° |
| Light beam flux | 3600 lm |
| Useful light flux | 3190 lm |
| Photobiological risk | 1 |
| Standby power | < 0.50 W |