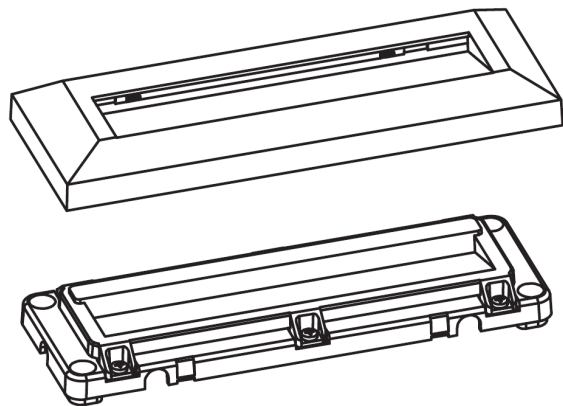
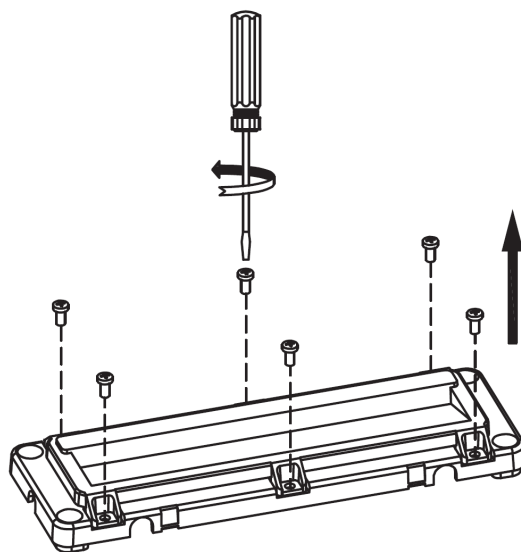


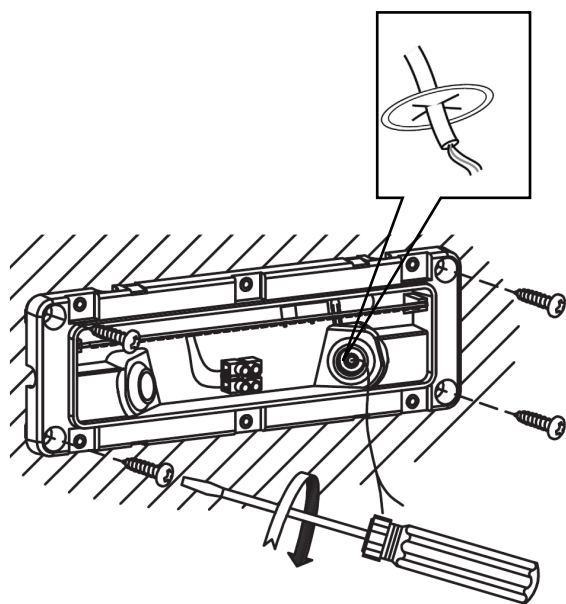
1



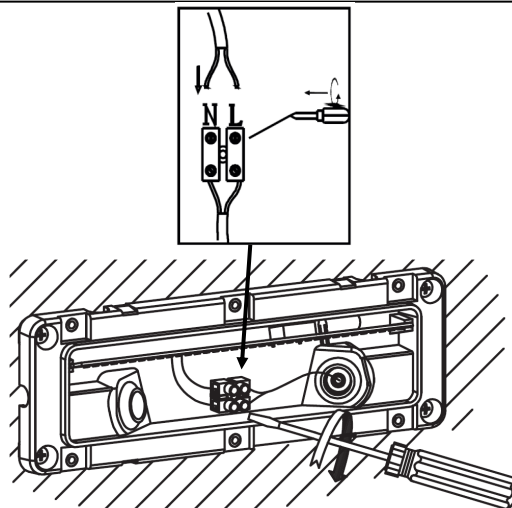
2



3



4

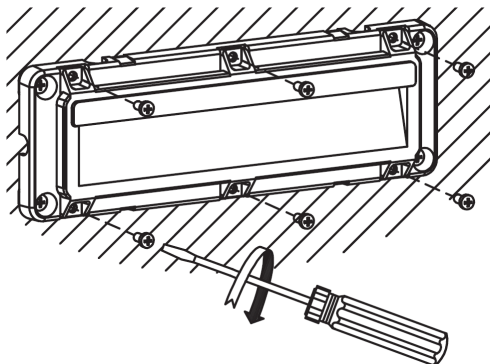


**MAINS SUPPLY**

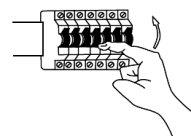
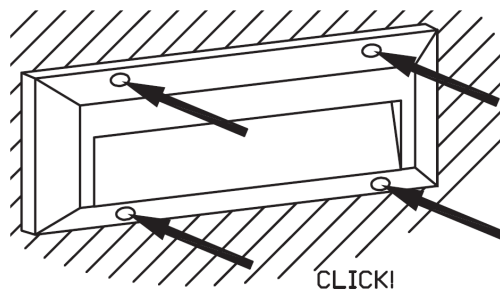
**LIGHT FITTING**

LIVE - Possible colours : Red or Brown ——— LIVE  
NEUTRAL - Possible colours : Black or Blue ——— NEUTRAL


5



6



## **SAFETY INFORMATION: (Please retain for future reference)**

- Always turn off the mains supply before commencing the installation of this fitting .
- This is a Class 2 product  and does not require an Earth connection
- This product must be installed in accordance with the national building regulations, if in doubt consult a qualified electrician.
- The Product should not be modified , as this may void the product warranty and render then the product unsafe
- We recommend the use of a suitable RCD, capable of carrying the intended load and which is correctly fused.

### **POSITION:**

- The fitting is IP65 rated and suitable for installation in outdoor locations.
- Ensure sufficient access to the fitting to enable safe maintenance.
- The Luminaire should be positioned so that prolonged staring into the luminaire at a distance closer than 0.2m is not expected.
- Do not stare at the operation lamp.

### **LED INFORMATION:**

- The fitting is Not suitable for dimming .
- The LED lamps are not replaceable, when the lamps reach the end of their life the whole luminaire shall be replaced.
- The LED lamps and chip board are not removable

### **AFTERCARE AND MAINTENANCE:**

- Always disconnect power supply when servicing or cleaning.
- Clean only with a dry or slightly damp cloth.
- Do no use any abrasive cloths or cleaners as this may damage the product

