

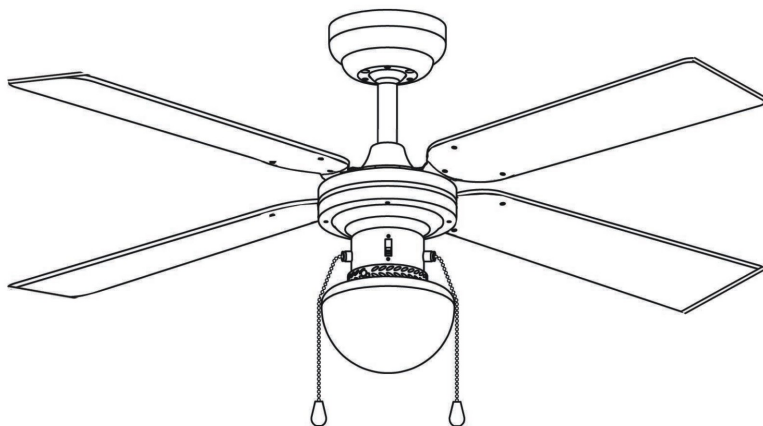
GLOBO

FAN

www.globo-lighting.com

0330

0330S



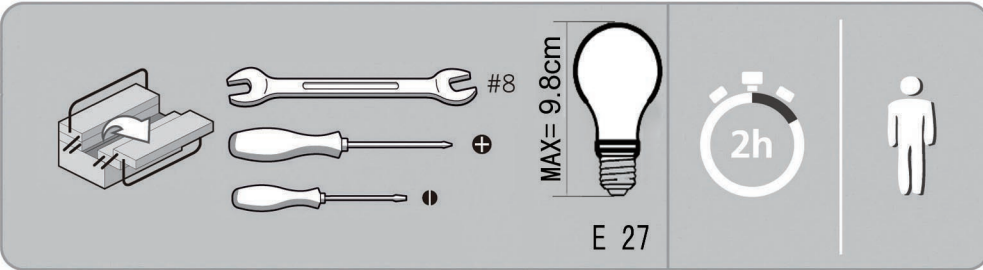
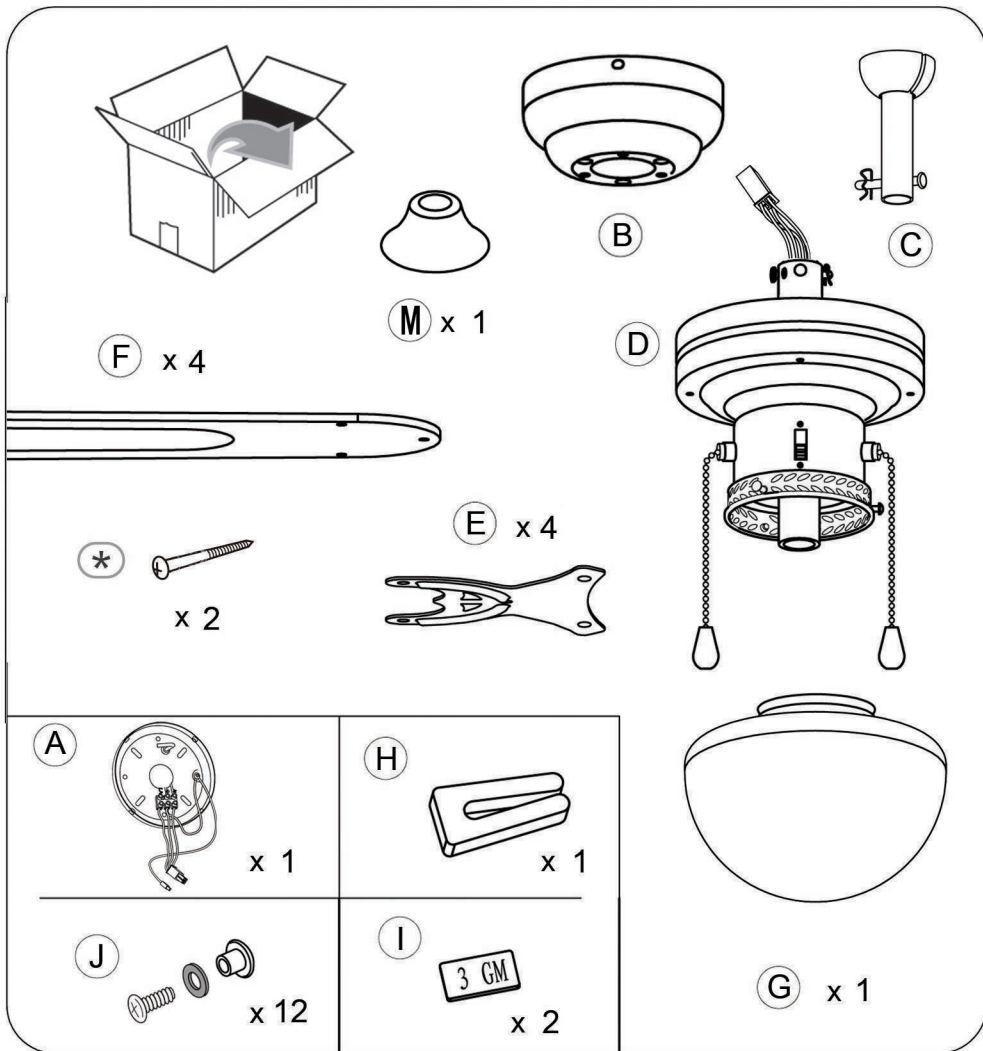
LHB42+1SCH
EINGANG: 220-240V~50Hz
MOTOR: 50W
BIRNE: 1 x max 60W E27 exkl.

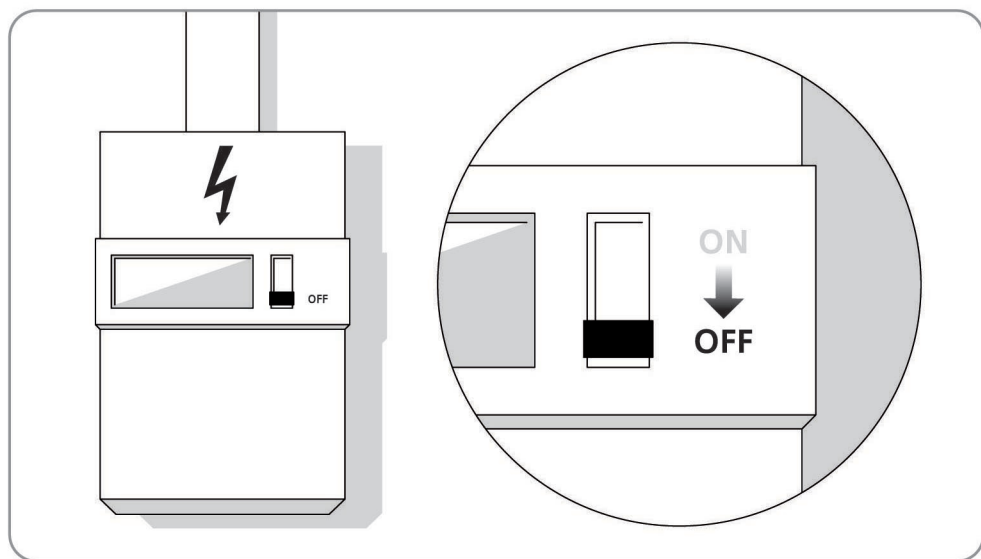
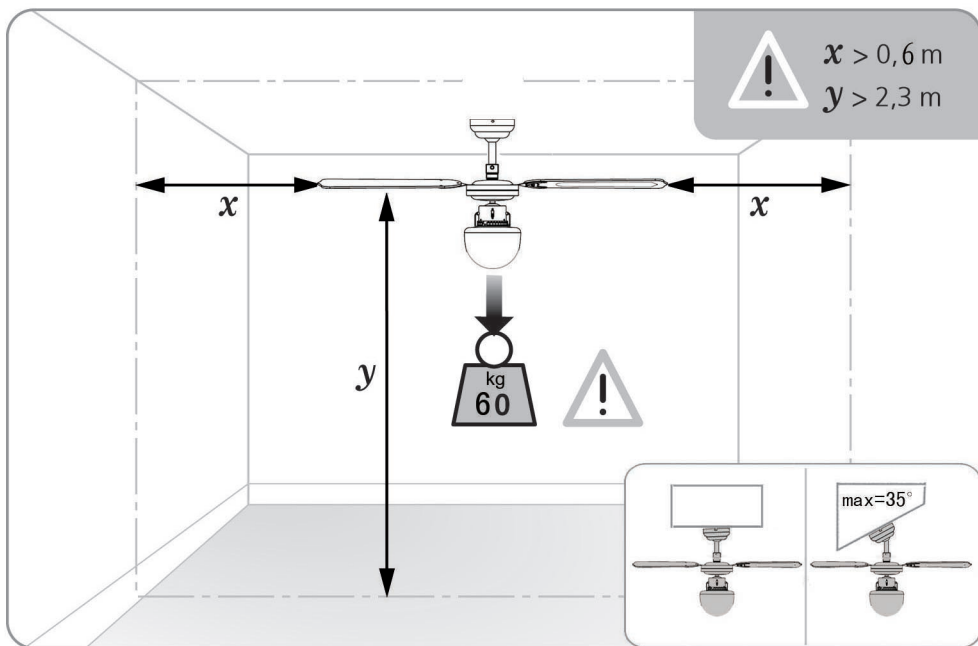
GLOBO Handels GmbH

St.Peter 38
A-9184 St.Jakob/Rosental

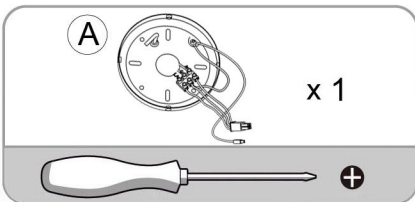
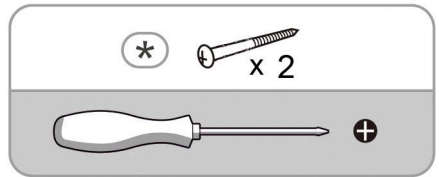
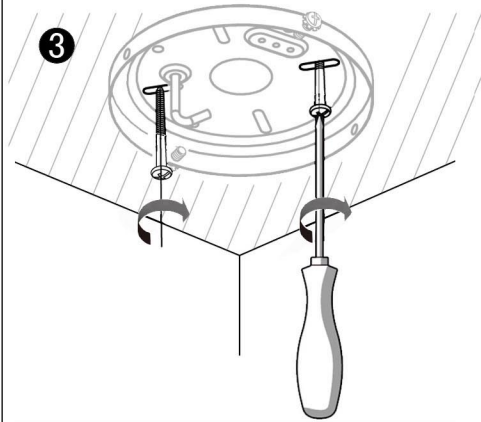
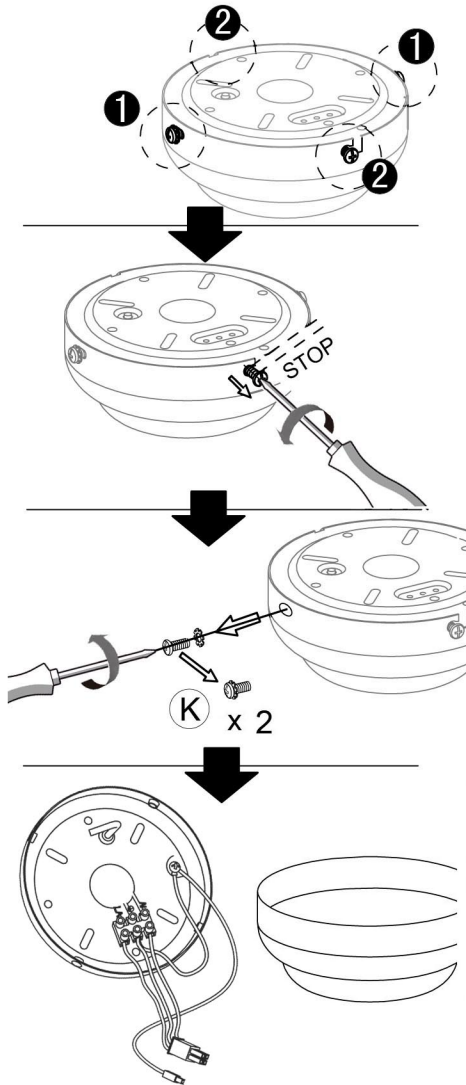
LHB42+1SCH
INPUT: 220-240V~50Hz
MOTOR: 50W
BULB: 1 x max 60W E27 exkl.



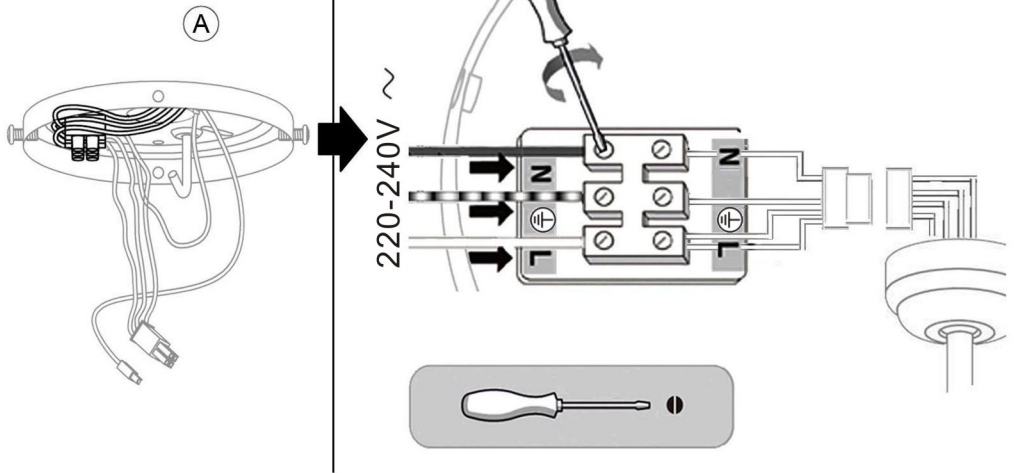




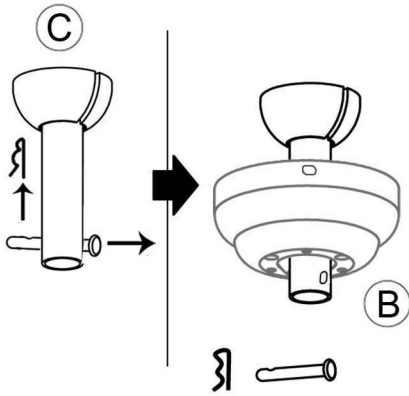
1



4



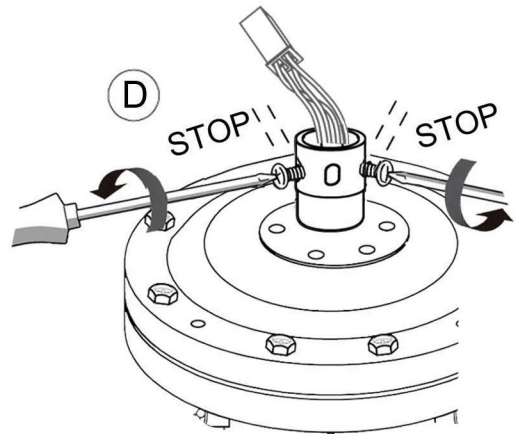
5



C



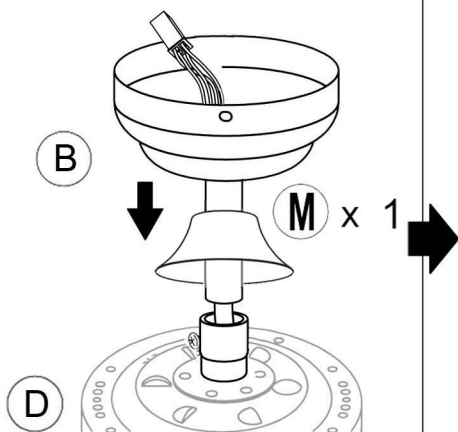
6



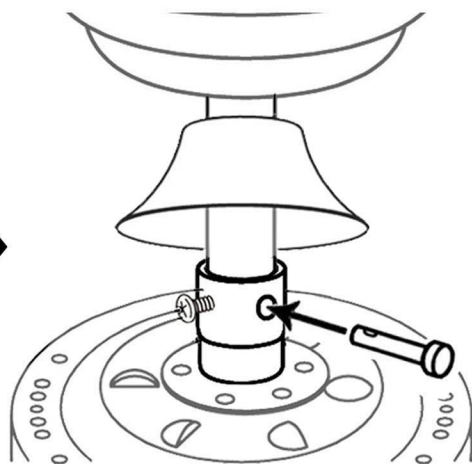
+



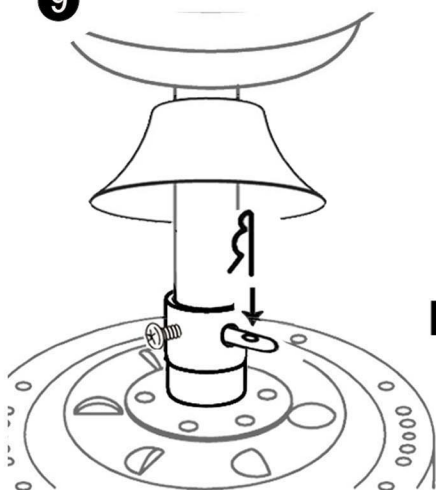
7



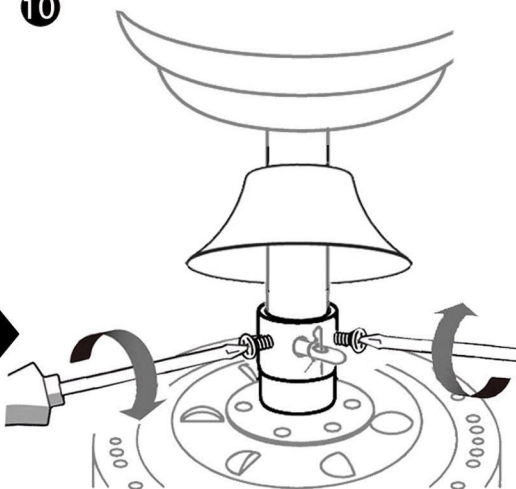
8



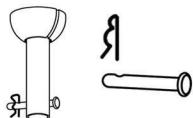
9



10



C

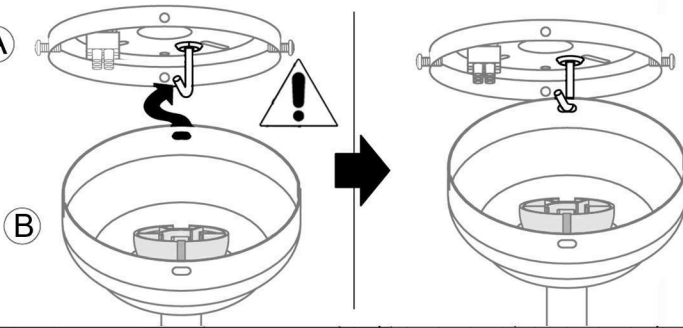


+



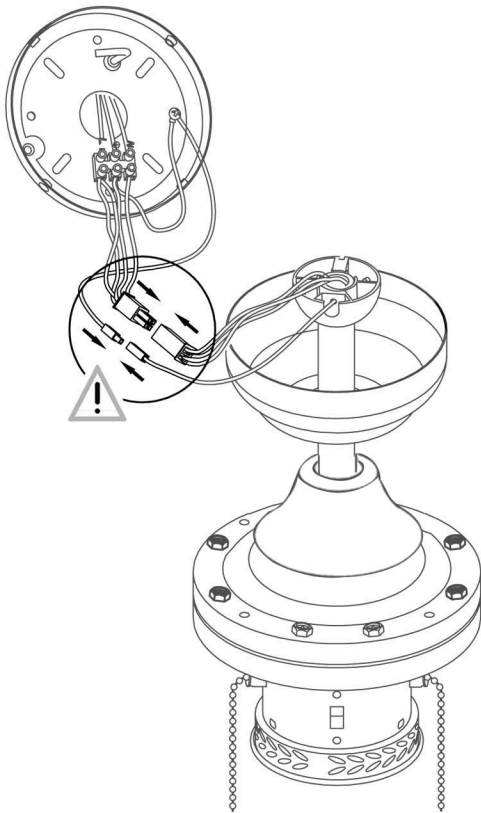
11

A

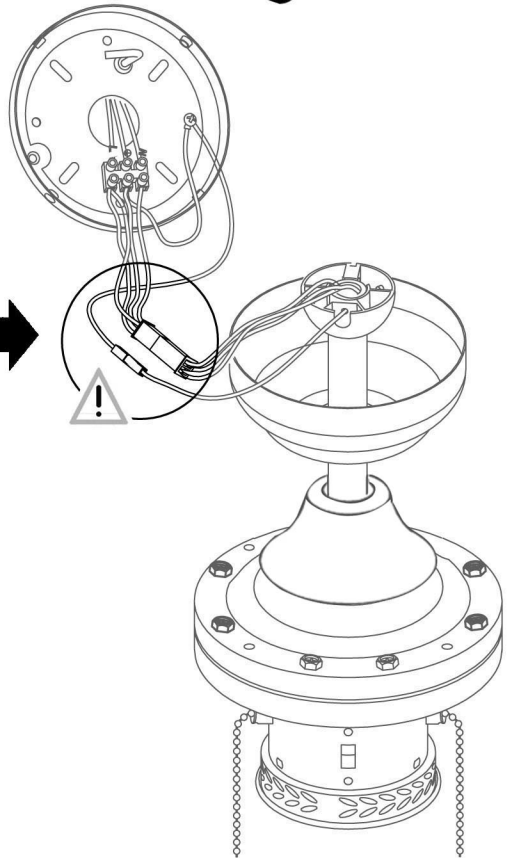


A

12

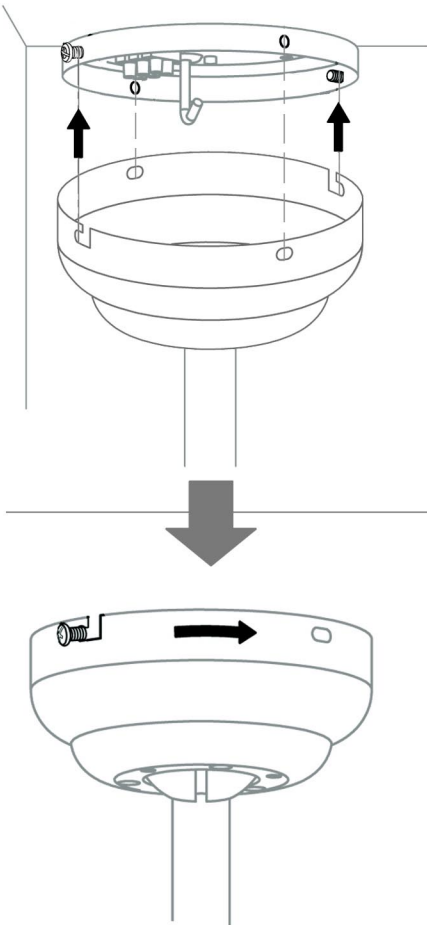


13

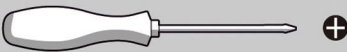
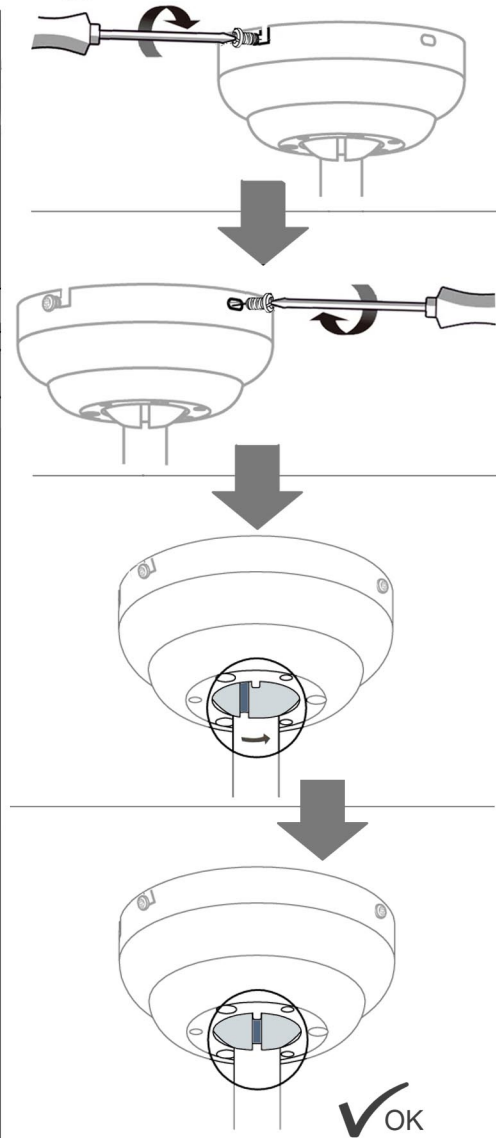


5

14



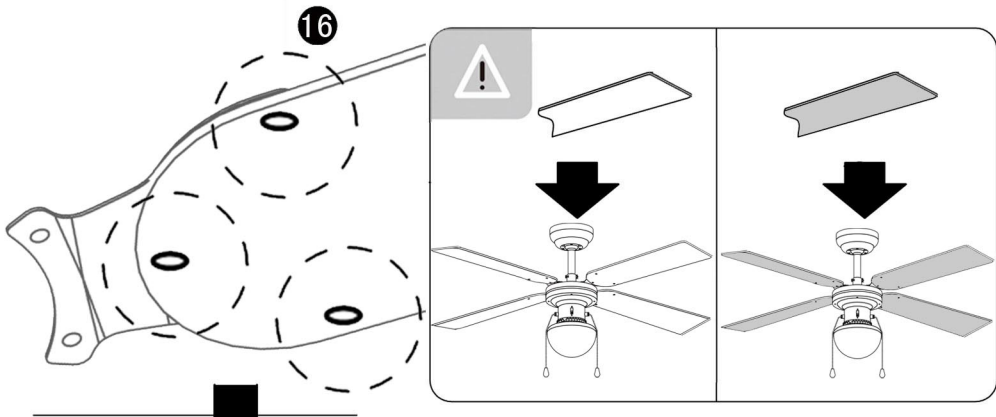
15



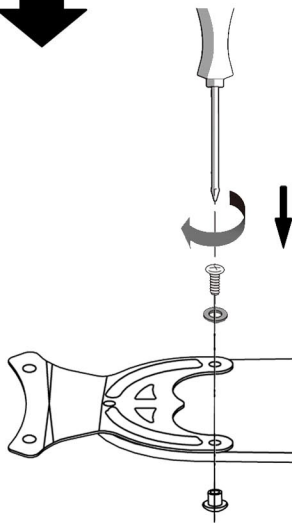
(K)

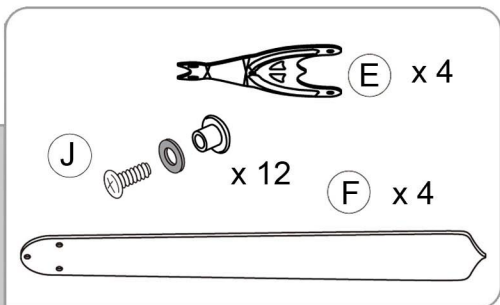


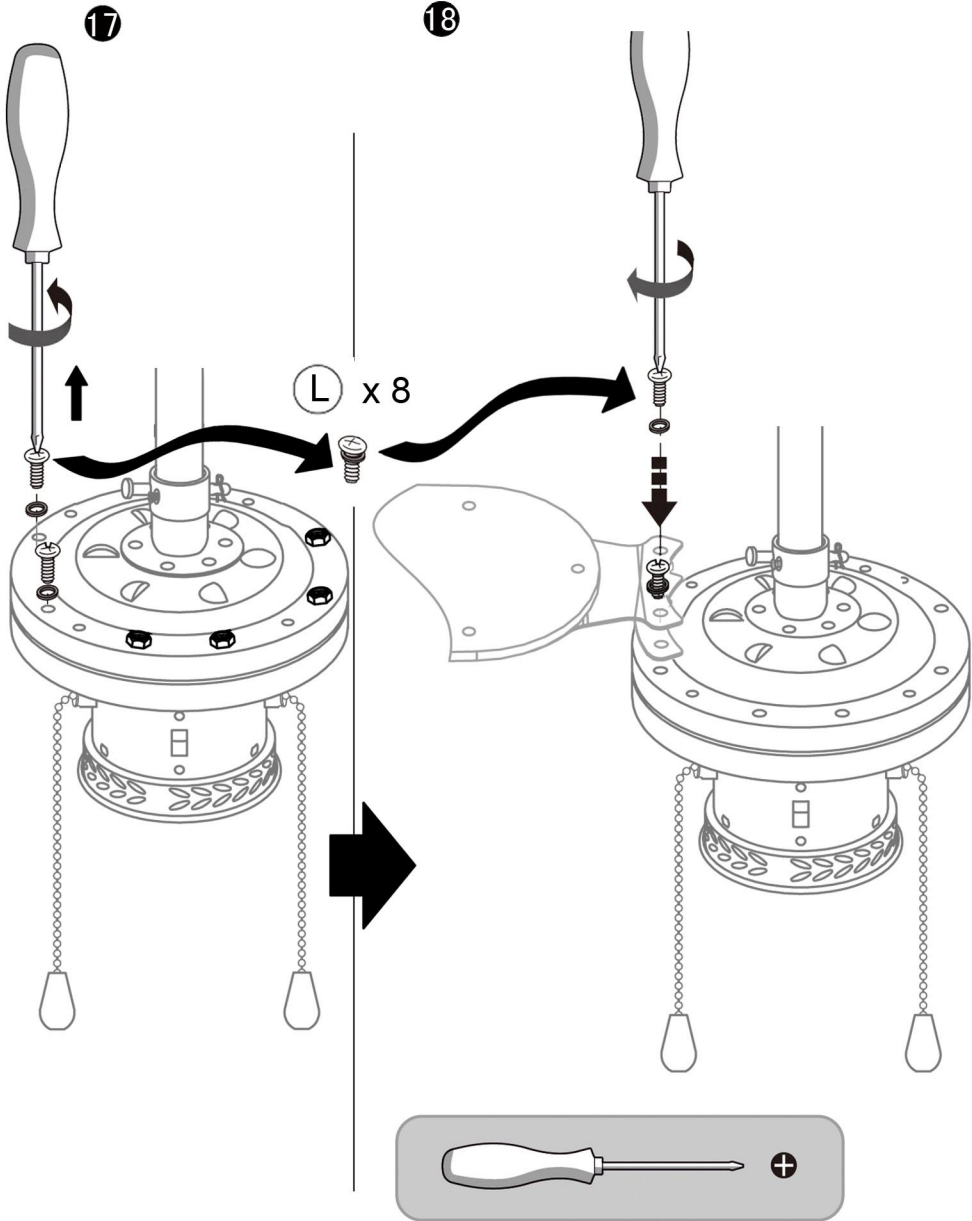
x2



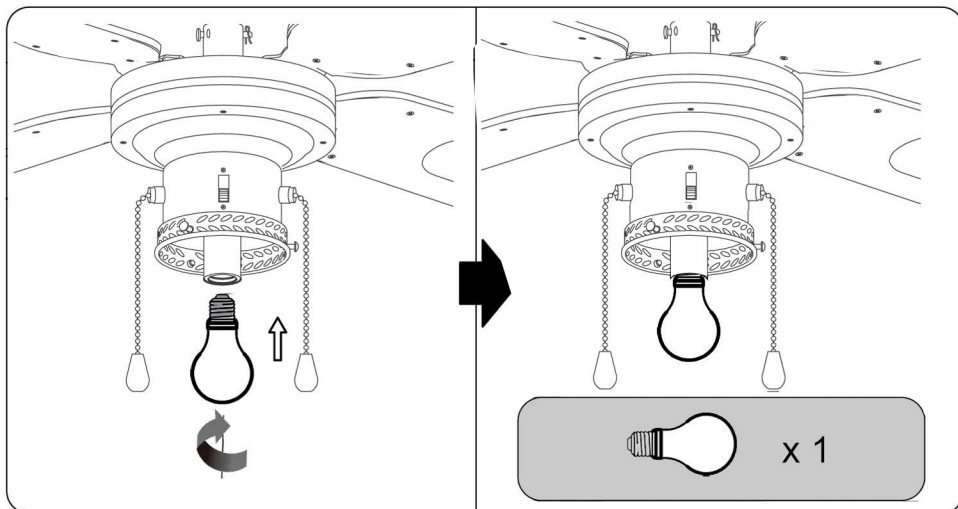
16


 #8

 +




19



20

