

# PHILIPS

hue personal  
wireless  
lighting

53090/\*\*/\*\*

53092/\*\*/\*\*

53093/\*\*/\*\*



53090/\*\*/\*\*



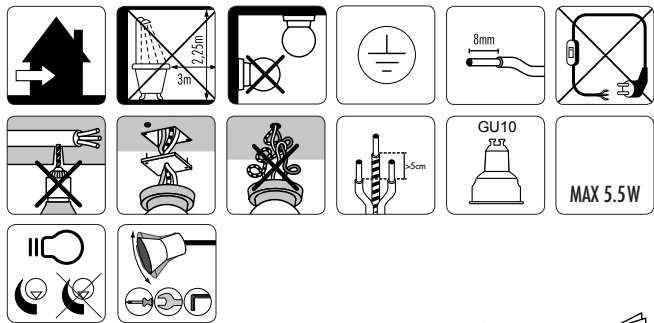
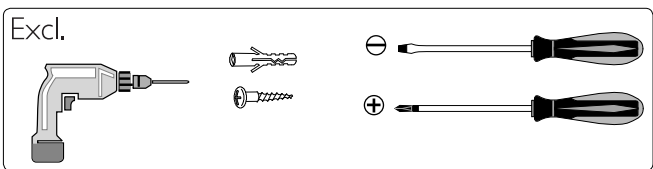
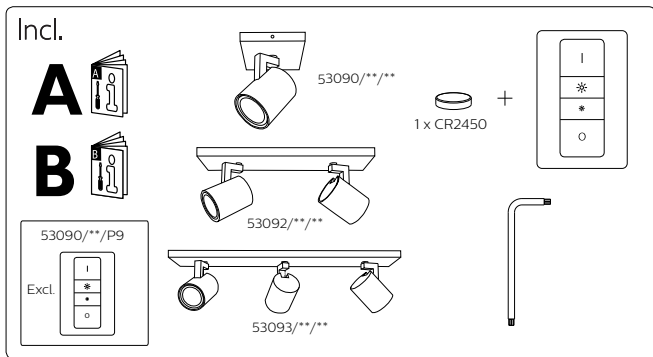
53092/\*\*/\*\*



53093/\*\*/\*\*



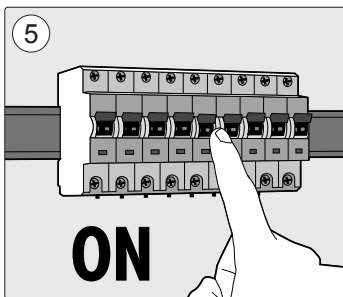
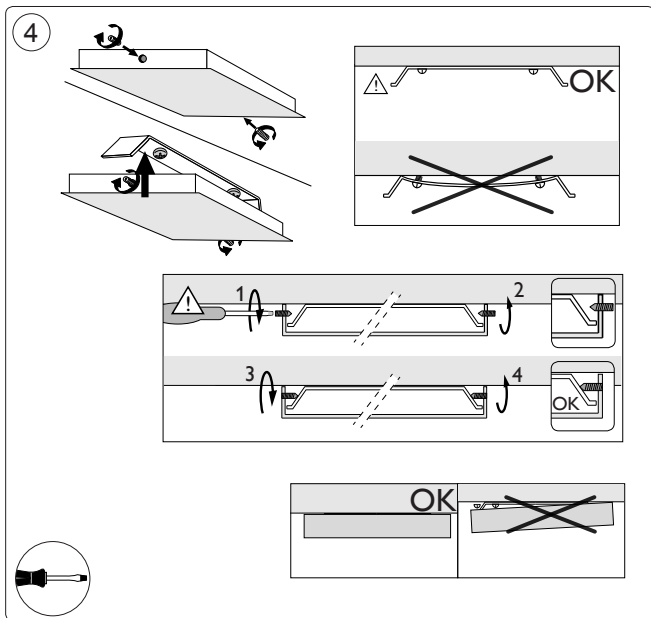
Gebruiksaanwijzing  
Notice d'emploi  
Benutzerhandbuch  
User manual  
Manual de usuario

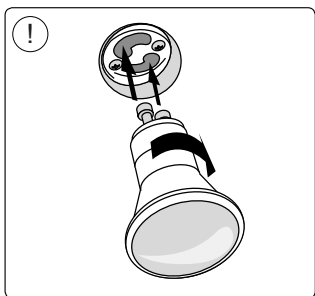
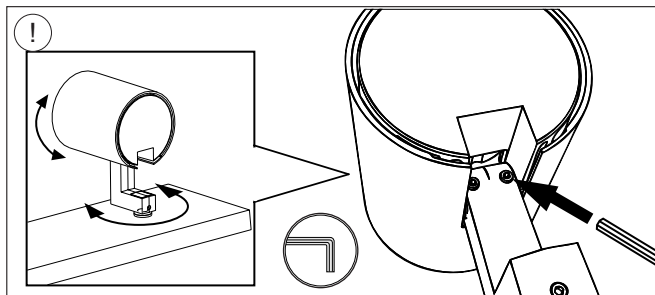


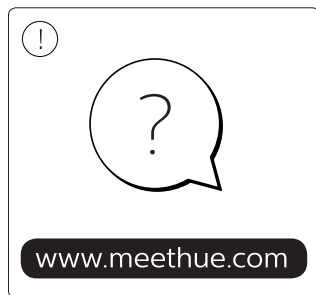
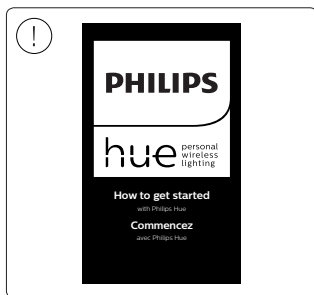
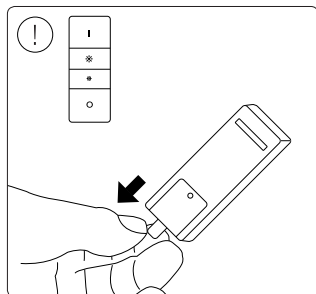
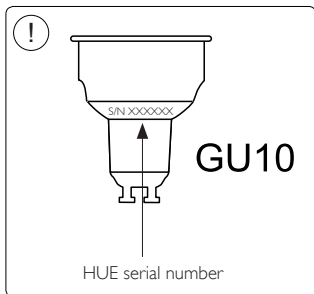
[www.meethue.com/getstarted](http://www.meethue.com/getstarted)















Signify  
I.B.R.S. / C.C.R.I. Numéro 10461  
5600 VB Eindhoven,  
the Netherlands  
☎00800-74454775

© 2019 Signify Holding  
All rights reserved.

[www.meethue.com](http://www.meethue.com)

4404 029 05303  
Last update: 27/08/19